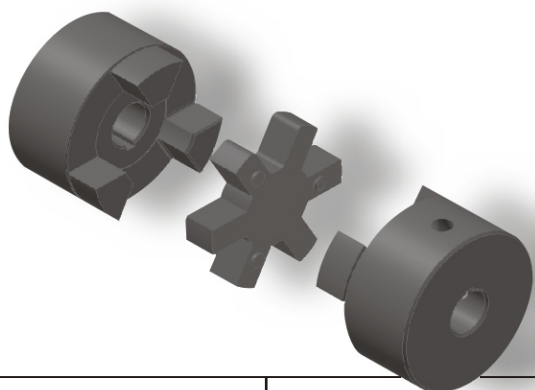




# Count on LEESON for your day-to-day couplings.

- High torque capability
- Interchangeable
- Easy installation
- Misalignment allowance
- Four insert materials available



## THE JAW COUPLINGS ADVANTAGE

The jaw design is considered "fail-safe." If the insert element wears/breaks away, the coupling continues to operate until the insert can be conveniently replaced. Simple design means easy installation, removal and visual inspection - also greater radial softness, lighter weight and lower cost vs. torque capacity, quiet operation and easy replacement in the field.

## FOUR INSERT CHOICES

The choice of the insert element can make a significant difference in the coupling's performance with regard to vibration, temperature, chemicals, misalignment, high rpm, space limitations and installation/removal. Due to the variety of inserts available, careful selection will result in a more efficient and longer-lasting application.

## INSERT CHARACTERISTICS

Material	Temperature Range	Chemical Resistance
<b>NBR (Rubber)</b> - Nitrile Butadiene Rubber is an elastomeric element that is oil resistant with the resilience and elasticity of natural rubber. Most economical and widely-used element.	-40° to +212° F -40° to +100° C	Good
<b>Urethane</b> - Urethane has 1.5X more torque capability than NBR, provides less dampening effect and has good resistance to oil and chemicals. Not recommended for cyclic or start-stop applications.	-30° to +160° F -34° to +71° C	Very Good
<b>Hytrel</b> - Hytrel is a pliant elastomer suited to high-torque/temperature operations. Notable resistance to oil and chemicals. Not recommended for cyclic or start/stop applications.	-60° to +250° F -51° to +121° C	Excellent
<b>Bronze</b> - Bronze is a metal insert designed exclusively for slow speed operations that require high torque. (Maximum 250 RPM) Resistant to extreme environments (temperature, water, oil, dirt).	-40° to +450° F -40° to +232° C	Excellent

COUPLINGS		INSERT ELEMENTS							
Coupling Part No.	List Price (\$) (per flange)	NBR (Rubber)		Urethane		Hytrel		Bronze	
		Part No.	List Price	Part No.	List Price	Part No.	List Price	Part No.	List Price
L035-1	3.25	L035N-1	2.10	L035U-1	-	L035H-1	-	L035B-1	-
L050-1	3.25	L050N-1	2.10	L050U-1	8.50	L050H-1	7.10	L050B-1	11.90
L070	5.05	L070N	3.00	L070U	5.90	L070H	10.00	L070B	14.50
L075	5.80	L075N	5.10	L075U	7.30	L075H	15.00	L075B	23.20
L090	8.90	L090N	6.60	L090U	10.50	L090H	20.00	L090B	25.60
L095	13.70	L095N	6.60	L095U	10.50	L095H	20.00	L095B	25.60
L099	17.30	L099N	13.90	L099U	27.60	L099H	47.60	L099B	37.80
L100	25.60	L100N	13.90	L100U	27.60	L100H	47.60	L100B	37.80
L110	35.00	L110N	16.00	L110U	52.40	L110H	57.60	L110B	45.40
L150	44.80	L150N	23.00	L150U	63.40	L150H	69.20	L150B	146.00
L190	70.00	L190N	28.00	L190U	68.40	L190H	81.60	L190B	222.00
L225	85.00	L225N	33.50	L225U	86.60	L225H	95.80	L225B	284.00



CPL13004



Discount Symbol S

# LEESON CANADA

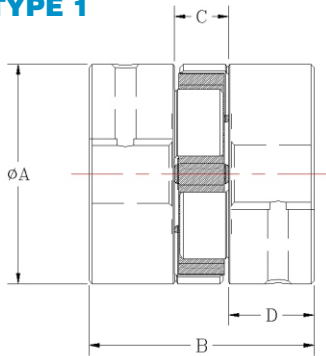
VANCOUVER • EDMONTON • WINNIPEG • MONTREAL • MONCTON  
HEAD OFFICE • MISSISSAUGA • 905-670-4770 • FAX 905-670-4378

## STANDARD COUPLING AVAILABILITY\*

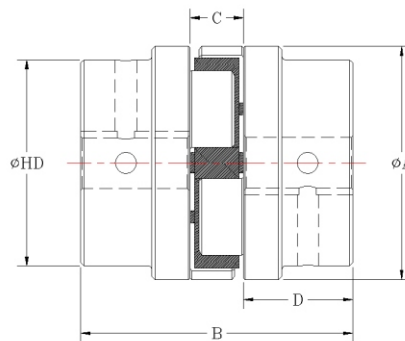
Bore	Keyway	L035-1	L050-1	L070	L075	L090	L095	L099	L100	L110	L150	L190	L225
1/8	No Kwy	✓											
3/16	No Kwy	✓	✓	✓									
1/4	No Kwy	✓	✓	✓									
5/16	No Kwy	✓	✓	✓									
3/8	No Kwy	✓	✓	✓	✓								
7/16	No Kwy		✓	✓	✓	✓	✓						
1/2	No Kwy		✓	✓	✓	✓	✓						
9/16	1/8 x 1/16		✓	✓	✓	✓	✓						
5/8	3/16 x 3/32		✓	✓	✓	✓	✓				✓		
11/16	3/16 x 3/32			✓	✓	✓	✓				✓		
3/4	3/16 x 3/32			✓	✓	✓	✓				✓		
13/16	3/16 x 3/32				✓	✓	✓	✓	✓	✓	✓		
7/8	3/16 x 3/32				✓	✓	✓	✓	✓	✓	✓		
15/16	1/4 x 1/8					✓	✓	✓	✓	✓	✓		
1	1/4 x 1/8					✓	✓	✓	✓	✓	✓		
1	3/16 x 3/32						✓	✓	✓	✓	✓		
1-1/16	1/4 x 1/8						✓	✓	✓	✓	✓		
1-1/8	1/4 x 1/8						✓	✓	✓	✓	✓	✓	
1-3/16	1/4 x 1/8							✓	✓	✓	✓	✓	
1-1/4	1/4 x 1/8								✓	✓	✓	✓	
1-5/16	5/16 x 5/32								✓	✓	✓	✓	
1-3/8	5/16 x 5/32								✓	✓	✓	✓	✓
1-7/16	3/8 x 3/16									✓	✓	✓	✓
1-1/2	3/8 x 3/16									✓	✓	✓	✓
1-9/16	3/8 x 3/16									✓	✓	✓	✓
1-5/8	3/8 x 3/16									✓	✓	✓	✓
1-11/16	3/8 x 3/16									✓	✓	✓	✓
1-3/4	3/8 x 3/16									✓	✓	✓	✓

\*Price and availability for other coupling configurations are readily available - please contact LEESON.

**TYPE 1**



**TYPE 2**



## DIMENSIONS

Part No.	Type	Outside Diameter A	Hub Diameter HD	Overall Length B	Distances Between Flanges C	Length Thru Bore D	Set Screw			Bore		Wt. Lbs (approx.)	Approx. WR <sup>2</sup> lb-in <sup>2</sup>
							Qty.	Size & Length	Tightening Torque in.-lbs	Min. inches	Max. inches		
L035-1	1	5/8	...	13/16	9/32	17/64	1	#6-32 x 1/8"	7	1/8 (4mm)	3/8 (8mm)	0.10	0.003
L050-1	1	1-1/16	...	1-23/32	15/32	5/8	1	1/4-20 x 3/16"	45	3/16 (5mm)	5/8 (16mm)	0.25	0.054
L070	1	1-3/8	...	2	1/2	3/4	1	1/4-20 x 1/4"	78	3/16 (7mm)	3/4 (19mm)	0.50	0.115
L075	1	1-3/4	...	2-1/8	1/2	13/16	1	1/4-20 x 3/8"	78	3/16 (9mm)	7/8 (22mm)	0.90	0.388
L090	1	2-1/8	...	2-9/64	33/64	13/16	1	1/4-20 x 3/8"	78	3/16 (9mm)	1 (25mm)	1.35	0.772
L095	1	2-1/8	...	2-33/64	33/64	1	2	5/16-18 x 1/4"	80	7/16 (11mm)	1-1/8 (28mm)	1.55	0.890
L099	1	2-17/32	...	2-27/32	23/32	1-1/16	2	5/16-18 x 3/8"	150	7/16 (14mm)	1-3/16 (30mm)	2.25	2.048
L100	1	2-17/32	...	3-15/32	23/32	1-3/8	2	5/16-18 x 3/8"	150	7/16 (12mm)	1-3/8 (35mm)	2.80	2.783
L110	1	3-5/16	...	4-1/4	7/8	1-11/16	2	3/8-16 x 5/16"	225	5/8 (16mm)	1-5/8 (42mm)	5.95	8.993
L150	1	3-3/4	...	4-1/2	1	1-3/4	2	3/8-16 x 1/2"	260	5/8 (16mm)	1-7/8 (48mm)	7.90	11.477
L190	2	4-1/2	4	5-1/4	1	2-1/8	2	1/2-13 x 1/2"	540	3/4 (19mm)	2-1/8 (55mm)	13.80	39.256
L225	2	5	4-1/4	6	1	2-1/2	2	1/2-13 x 1/2"	540	3/4 (30mm)	2-5/8 (65mm)	17.30	65.000



**LEESON CANADA**

VANCOUVER • EDMONTON • WINNIPEG • MONTREAL • MONCTON  
HEAD OFFICE • MISSISSAUGA • 905-670-4770 • FAX 905-670-4378