



# WASHGUARD® Gear Reducers Designed For Washdown Duty

## WASHGUARD® REDUCER FEATURES

LEESON washdown reducers are designed and built to withstand the rigors of high pressure washdowns in food service and other wet or humid conditions. They combine the **standard IRONMAN™ features noted on pages 4 & 5**, with added WASHGUARD® features assuring trouble-free operation. Use these with LEESON WASHGUARD® “Duck” motors for a gearmotor with truly unmatched ability to thrive under conditions that quickly destroy most motors and gear reducers.

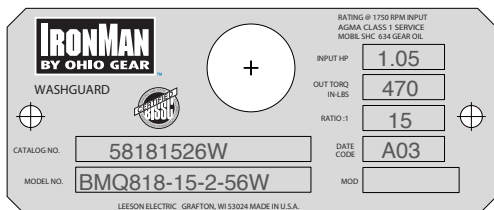
**BISSC Certified** –  
Bakery Industry Sanitation  
Standards Committee



**O-ring on input flange** provides a positive seal against moisture intrusion.

**Flat-finished mounting surface** on cast-iron input flange surface has no recessed areas where residue or moisture could be retained.

**Stainless Steel nameplate**, riveted to frame and adhesive backed to eliminate particle entrapment.



**O-ring seals on input and output covers** eliminate gaskets, sealants and leaks.

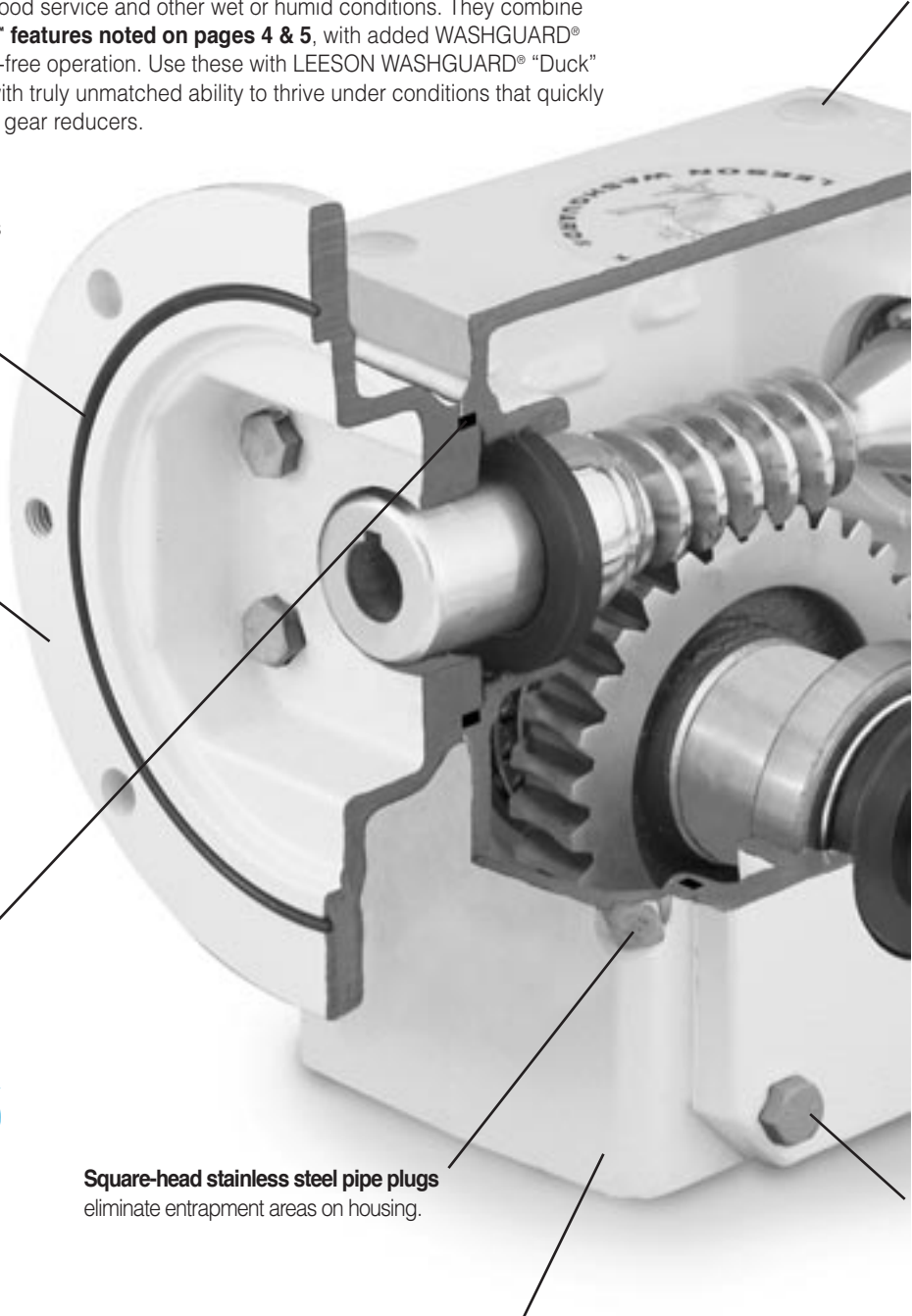
**WASHGUARD® Stock Modified Units**  
See page 88 for WASHGUARD® mounting accessories and modification information.



**Square-head stainless steel pipe plugs** eliminate entrapment areas on housing.

**Fine-grain cast iron housing** is naturally resistant to contaminants, provides excellent surface for coating adherence.

**Vent free design** The ENVIRO-SEAL is standard in all stock LEESON WASHGUARD® reducers to create a “Sealed For Life” design. There is no need to install a vent.





Plugs are factory-inserted into all mounting holes to seal open areas from particle entrapment. User removes plugs only in those holes used for application mounting.



White, food-grade epoxy finish provides superior durability in wet environments and resists caustic cleaning solutions.

Food-grade synthetic lubricant, Mobil SHC634, meets USDA Class H2 standards while providing superior mechanical/thermal performance and long lube life.

Viton double-lip seals are up to five times more durable than nitrile seals and provide added resistance to chemicals common in washdown applications.

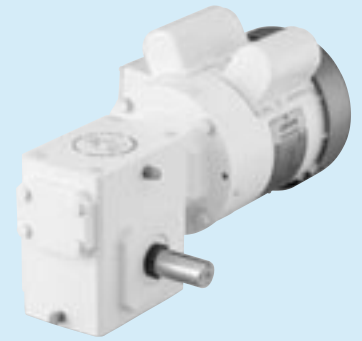
Stainless steel solid output shaft is corrosion resistant for long life and ease. Hollow output shafts are available in stainless steel. Contact LEESON for availability.

Patented Forsheda V-ring on output shaft provides extra protection from high-pressure water spray and other contaminants in the most vulnerable area.

Stainless steel assembly hardware resists corrosion from moisture and chemicals.



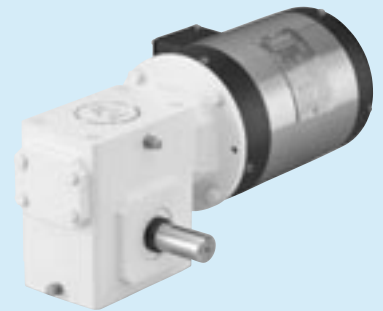
PROTECTED WITH RUST-OLEUM® COATINGS



**WASHGUARD®**

Combine WASHGUARD® white epoxy gear reducers and WASHGUARD® white epoxy motors. (Contact your LEESON representative)

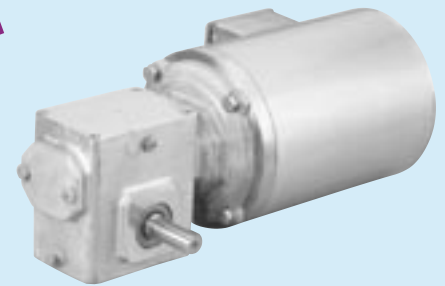
Enhanced performance in wet, humid areas.



**WASHGUARD II® with STAINLESS FRAME MOTOR**

Combine WASHGUARD® white epoxy gear reducers and paint-free exterior motors with stainless frames. (Contact your LEESON representative)

Superior, extended life in severe environments.



**PREMIUM WASHGUARD® ALL-STAINLESS**

Combine all-stainless reducers and motors to create a package suitable for nearly any severe duty application. (Contact your LEESON representative)

Maximum service in critically clean or corrosive environments.

**Additional WASHGUARD® Product Available**

- Hollow output shafts (standard & stainless steel)
- Double reductions
- 642-660 sizes available