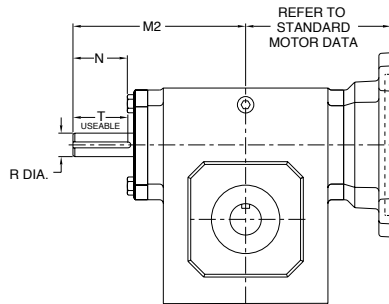
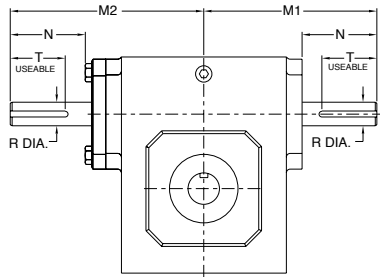


In addition to the thousands of stock/standard IRONMAN BY OHIO GEAR™ products available from LEESON, there are also many special reducer configurations possible. Some of the special features available are listed below.

Contact LEESON with engineering requirements.

- Special Paint
- Custom Mounting Brackets/Bases
- Longer/Shorter Shaft Extensions
- Special Shaft Extension Diameters
- Cross-drilled Holes on Shafts
- Custom Ratios
- Stainless-Steel Hollow Output Shafts
- Reduced Backlash Designs
- Dual Input Shaft Extensions (Detailed Below)



TYPICAL DUAL INPUT EXTENSION DIMENSIONS AVAILABLE FROM LEESON

Unit	M1	M2	N	R	T**
813	3.82	4.37	1.76	.500	1/8 x 1.44
815	4.35	4.90	1.76	.625	3/16 x 1.50
818	4.45	5.00	1.76	.625	3/16 x 1.50
821	4.82	5.37	1.76	.625	3/16 x 1.50
824	5.51	6.15	2.38	.750	3/16 x 1.50
826	6.07	6.72	2.38	.750	3/16 x 1.50
830	6.57	7.22	2.38	.875	3/16 x 1.50
832	6.76	7.40	2.38	.875	3/16 x 1.50
842	9.57	9.57	3.47	1.250	1/4 x 2.88
852	10.88	10.88	3.38	1.250	1/4 x 3.00
8600	11.78	14.55	3.41	1.500	3/8 x 3.00

**Keyway width by length