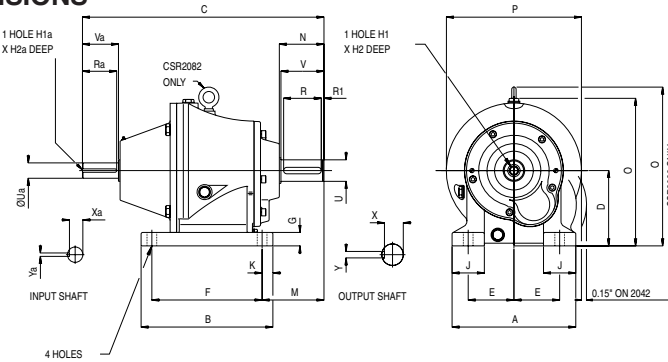


## DIMENSIONS

### CSR Series • Double Reduction

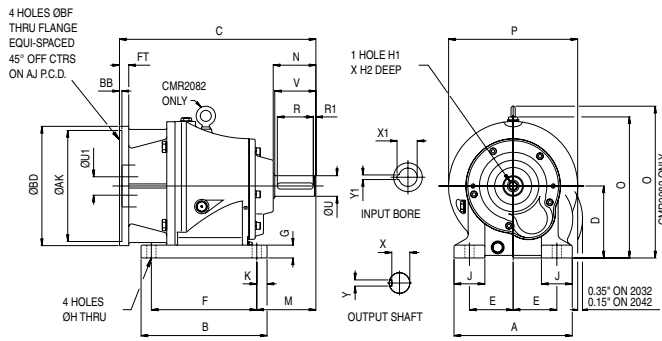


Unit Size	A	B	C	D	E	F	G	ØH	H1	H2	J	K	M	N	O	P	R	R1	U
CSR2042	5.71	6.30	11.88	3.54	2.17	5.12	0.59	0.39	3/8 UNF	0.87	1.38	0.59	2.95	2.09	7.17	6.30	1.57	0.28	1.0000
CSR2062	7.48	7.87	13.21	4.53	2.66	6.50	0.71	0.55	3/8 UNF	0.87	2.17	0.69	3.54	2.44	8.94	7.87	1.97	0.28	1.0000
CSR2072	9.06	9.65	17.67	5.51	3.35	8.07	0.98	0.71	1/2 UNF	1.10	2.36	0.79	4.53	3.27	10.94	9.84	2.76	0.20	1.6250
CSR2082	11.42	12.20	21.64	7.09	4.23	10.34	1.10	0.71	5/8 UNF	1.42	2.95	0.98	5.51	4.06	14.65	11.81	3.15	0.39	2.1250

Dimension O on CSR2082 includes Eyebolt.

Unit Size	V	X	Y	H1a	H2a	Ra	ØUa	Va	Xa	Ya
CSR2042	1.97	0.8541	0.252	—	—	1.75	0.6250	1.88	0.5118	0.1895
CSR2062	2.36	1.1074	0.252	1/4 UNC	0.63	2.13	0.8750	2.25	0.7660	0.1895
CSR2072	3.15	1.4106	0.377	3/8 UNF	0.87	2.50	1.1250	2.63	0.9809	0.2520
CSR2082	3.94	1.8402	0.502	1/2 UNF	1.10	2.88	1.3750	3.13	1.1960	0.3145

### CMR Series • Double Reduction



Unit Size	A	B	C	D	E	F	G	ØH	H1	H2	J	K	M	N	O	P	R	R1	ØU
CMR2032-42C	5.31	4.33	8.39	2.95	2.17	3.35	0.47	0.39	1/4 UNC	0.63	0.98	0.49	2.28	1.63	5.71	5.51	1.26	0.16	0.750
CMR2032-48C	5.31	4.33	8.39	2.95	2.17	3.35	0.47	0.39	1/4 UNC	0.63	0.98	0.49	2.28	1.63	5.71	5.51	1.26	0.16	0.750
CMR2032-56C	5.31	4.33	8.70	2.95	2.17	3.35	0.47	0.39	1/4 UNC	0.63	0.98	0.49	2.28	1.63	5.71	5.51	1.26	0.16	0.750
CMR2042-56C	5.71	6.30	9.17	3.54	2.17	5.12	0.59	0.39	3/8 UNF	0.87	1.38	0.59	2.95	2.09	7.17	6.30	1.57	0.28	1.000
CMR2042-140TC	5.71	6.30	9.17	3.54	2.17	5.12	0.59	0.39	3/8 UNF	0.87	1.38	0.59	2.95	2.09	7.17	6.30	1.57	0.28	1.000
CMR2042-180TC	5.71	6.30	9.88	3.54	2.17	5.12	0.59	0.39	3/8 UNF	0.87	1.38	0.59	2.95	2.09	7.17	6.30	1.57	0.28	1.000
CMR2062-56C	7.48	7.87	10.08	4.53	2.66	6.50	0.71	0.55	3/8 UNF	0.87	2.17	0.69	3.54	2.44	8.94	7.87	1.97	0.28	1.250
CMR2062-140TC	7.48	7.87	10.08	4.53	2.66	6.50	0.71	0.55	3/8 UNF	0.87	2.17	0.69	3.54	2.44	8.94	7.87	1.97	0.28	1.250
CMR2062-180TC	7.48	7.87	11.44	4.53	2.66	6.50	0.71	0.55	3/8 UNF	0.87	2.17	0.69	3.54	2.44	8.94	7.87	1.97	0.28	1.250
CMR2072-210TC	7.48	7.87	11.44	4.53	2.66	6.50	0.71	0.55	3/8 UNF	0.87	2.17	0.69	3.54	2.44	8.94	7.87	1.97	0.28	1.250
CMR2072-140TC	9.06	9.65	13.15	5.51	3.35	8.07	0.98	0.71	1/2 UNF	1.10	2.36	0.79	4.53	3.27	10.94	9.84	2.76	0.20	1.625
CMR2072-180TC	9.06	9.65	14.83	5.51	3.35	8.07	0.98	0.71	1/2 UNF	1.10	2.36	0.79	4.53	3.27	10.94	9.84	2.76	0.20	1.625
CMR2072-210TC	9.06	9.65	14.83	5.51	3.35	8.07	0.98	0.71	1/2 UNF	1.10	2.36	0.79	4.53	3.27	10.94	9.84	2.76	0.20	1.625
CMR2072-250TC	9.06	9.65	14.83	5.51	3.35	8.07	0.98	0.71	1/2 UNF	1.10	2.36	0.79	4.53	3.27	10.94	9.84	2.76	0.20	1.625
CMR2082-180TC	11.42	12.20	18.46	7.09	4.23	10.24	1.10	0.71	5/8 UNF	1.42	2.95	0.98	5.51	4.06	14.65	11.81	3.15	0.39	2.125
CMR2082-210TC	11.42	12.20	18.46	7.09	4.23	10.24	1.10	0.71	5/8 UNF	1.42	2.95	0.98	5.51	4.06	14.65	11.81	3.15	0.39	2.125
CMR2082-250TC	11.42	12.20	18.46	7.09	4.23	10.24	1.10	0.71	5/8 UNF	1.42	2.95	0.98	5.51	4.06	14.65	11.81	3.15	0.39	2.125
CMR2082-280TC	11.42	12.20	19.01	7.09	4.23	10.24	1.10	0.71	5/8 UNF	1.42	2.95	0.98	5.51	4.06	14.65	11.81	3.15	0.39	2.125

Unit Size	V	X	Y	AJ	ØAK	ØBD	ØBF	BB	FT	ØU1	X1	Y1
CMR2032-42C	1.57	0.6390	0.1895	3.75	3.001 / 3.003	4.33	0.30	0.15	0.35	0.3758 / 0.3752	0.047 FLAT	—
CMR2032-48C	1.57	0.6390	0.1895	3.75	3.001 / 3.003	4.33	0.30	0.15	0.35	0.5010 / 0.5003	0.047 FLAT	—
CMR2032-56C	1.57	0.6390	0.1895	5.88	4.501 / 4.503	6.50	0.41	0.15	0.28	0.6260 / 0.6253	0.719 / 0.709	0.1895 / 0.1875
CMR2042-56C	1.97	0.8541	0.252	5.88	4.501 / 4.503	6.50	0.43	0.16	0.35	0.6260 / 0.6253	0.719 / 0.709	0.1895 / 0.1875
CMR2042-140TC	1.97	0.8541	0.252	5.88	4.501 / 4.503	6.50	0.43	0.16	0.35	0.8761 / 0.8753	0.974 / 0.964	0.1895 / 0.1875
CMR2042-180TC	1.97	0.8541	0.252	7.25	8.501 / 8.503	8.94	0.55	0.20	0.55	1.1261 / 1.1253	1.251 / 1.241	0.2520 / 0.2500
CMR2062-56C	2.36	1.1074	0.252	5.88	4.501 / 4.503	6.69	0.43	0.16	0.43	0.6260 / 0.6253	0.719 / 0.709	0.1895 / 0.1875
CMR2062-140TC	2.36	1.1074	0.252	5.88	4.501 / 4.503	6.69	0.43	0.16	0.43	0.8761 / 0.8753	0.974 / 0.964	0.1895 / 0.1875
CMR2062-180TC	2.36	1.1074	0.252	7.25	8.501 / 8.503	8.94	0.55	0.20	0.59	1.1261 / 1.1253	1.251 / 1.241	0.2520 / 0.2500
CMR2062-210TC	2.36	1.1074	0.252	7.25	8.501 / 8.503	8.94	0.55	0.20	0.59	1.3764 / 1.3754	1.528 / 1.518	0.3145 / 0.3125
CMR2072-140TC	3.15	1.4106	0.377	5.88	4.501 / 4.503	6.69	0.43	0.16	0.43	0.8761 / 0.8753	0.974 / 0.964	0.1895 / 0.1875
CMR2072-180TC	3.15	1.4106	0.377	7.25	8.501 / 8.503	9.13	0.55	0.19	0.66	1.1261 / 1.1253	1.251 / 1.241	0.2520 / 0.2500
CMR2072-210TC	3.15	1.4106	0.377	7.25	8.501 / 8.503	9.13	0.55	0.19	0.66	1.3764 / 1.3754	1.528 / 1.518	0.3145 / 0.3125
CMR2072-250TC	3.15	1.4106	0.377	7.25	8.501 / 8.503	9.13	0.55	0.19	0.66	1.6264 / 1.6254	1.806 / 1.796	0.3770 / 0.3750
CMR2082-180TC	3.94	1.8402	0.502	7.25	8.501 / 8.503	9.13	0.55	0.19	0.66	1.1261 / 1.1253	1.251 / 1.241	0.2520 / 0.2500
CMR2082-210TC	3.94	1.8402	0.502	7.25	8.501 / 8.503	9.13	0.55	0.19	0.66	1.3764 / 1.3754	1.528 / 1.518	0.3145 / 0.3125
CMR2082-250TC	3.94	1.8402	0.502	7.25	8.501 / 8.503	9.13	0.55	0.19	0.66	1.6264 / 1.6254	1.806 / 1.796	0.3770 / 0.3750
CMR2082-280TC	3.94	1.8402	0.502	9.00	10.501 / 10.503	11.13	0.55	0.19	0.74	1.8764 / 1.8754	2.106 / 2.096	0.5020 / 0.5000

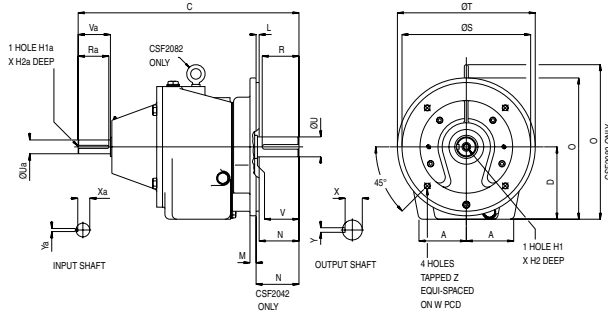
**WARNING** : For safety, purchaser or user should provide protective guards over all shaft extensions and any couplings, sheaves and belts, sprockets and chains, etc., mounted thereon.

# CAST IRON INLINE REDUCERS

## DIMENSIONS



### CSF Series • Double Reduction

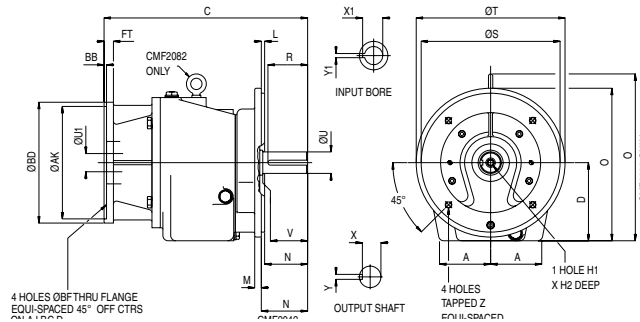


Unit Size	A	C	D	H1	H2	L	M	N	O	R	ØS	ØT	ØU	V	W	X	Y
CSF2042	2.46	12.16	3.98	1/4 UNC	0.63	0.12	0.43	2.13	7.23	2.13	4.50	6.50	0.8750	2.25	5.88	0.7660	0.1895
CSF2062	3.07	13.51	4.82	3/8 UNF	0.87	0.25	0.22	2.62	9.32	2.00	8.50	9.00	1.1250	2.63	7.25	0.9807	0.252
CSF2072	3.87	17.77	5.91	1/2 UNF	1.10	0.25	0.50	3.00	11.53	3.00	10.50	11.25	1.6250	3.25	9.00	1.4106	0.377
CSF2082	4.46	21.44	6.89	5/8 UNF	1.42	0.25	0.69	3.50	14.45	3.50	12.50	13.00	1.8750	3.75	11.00	1.5860	0.502

Dimension O on CSF2082 includes Eyebolt.

Unit Size	Z	H1a	H2a	Ra	ØUa	Va	Xa	Ya
CSF2042	3/8 UNC	—	—	1.75	0.6250	1.88	0.5118	0.1895
CSF2062	1/2 UNC	1/4 UNC	0.63	2.13	0.8750	2.25	0.7660	0.1895
CSF2072	1/2 UNC	3/8 UNF	0.87	2.50	1.1250	2.63	0.9809	0.2520
CSF2082	5/8 UNC	1/2 UNF	1.10	2.88	1.3750	3.13	1.1960	0.3145

### CMF Series • Double Reduction



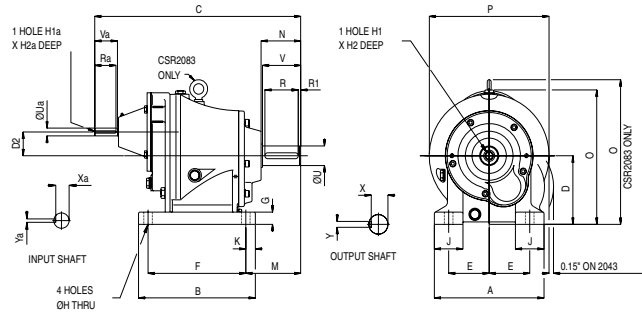
Unit Size	A	C	D	H1	H2	L	M	N	O	R	ØS	ØT	ØU	V	W	X	Y
CMF2042-56C	2.46	9.45	3.98	1/4 UNC	0.63	0.12	0.43	2.13	7.23	2.13	4.500	6.50	0.8750	2.25	5.88	0.7660	0.1895
CMF2042-140TC	2.46	9.45	3.98	1/4 UNC	0.63	0.12	0.43	2.13	7.23	2.13	4.500	6.50	0.8750	2.25	5.88	0.7660	0.1895
CMF2042-180TC	2.46	10.16	3.98	1/4 UNC	0.63	0.12	0.43	2.13	7.23	2.13	4.500	6.50	0.8750	2.25	5.88	0.7660	0.1895
CMF2062-56C	3.07	10.38	4.82	3/8 UNF	0.87	0.25	0.22	2.62	9.32	2.00	8.500	9.00	1.1250	2.63	7.25	0.9807	0.252
CMF2062-140TC	3.07	10.38	4.82	3/8 UNF	0.87	0.25	0.22	2.62	9.32	2.00	8.500	9.00	1.1250	2.63	7.25	0.9807	0.252
CMF2062-180TC	3.07	11.74	4.82	3/8 UNF	0.87	0.25	0.22	2.62	9.32	2.00	8.500	9.00	1.1250	2.63	7.25	0.9807	0.252
CMF2062-210TC	3.07	11.74	4.82	3/8 UNF	0.87	0.25	0.22	2.62	9.32	2.00	8.500	9.00	1.1250	2.63	7.25	0.9807	0.252
CMF2072-250TC	3.87	13.25	5.91	1/2 UNF	1.10	0.25	0.50	3.00	11.53	3.00	10.500	11.25	1.6250	3.25	9.00	1.4106	0.377
CMF2072-180TC	3.87	14.93	5.91	1/2 UNF	1.10	0.25	0.50	3.00	11.53	3.00	10.500	11.25	1.6250	3.25	9.00	1.4106	0.377
CMF2072-210TC	3.87	14.93	5.91	1/2 UNF	1.10	0.25	0.50	3.00	11.53	3.00	10.500	11.25	1.6250	3.25	9.00	1.4106	0.377
CMF2072-250TC	3.87	14.93	5.91	1/2 UNF	1.10	0.25	0.50	3.00	11.53	3.00	10.500	11.25	1.6250	3.25	9.00	1.4106	0.377
CMF2082-180TC	4.46	18.27	6.89	5/8 UNF	1.42	0.25	0.69	3.50	14.45	3.50	12.500	13.00	1.8750	3.75	11.00	1.5860	0.502
CMF2082-210TC	4.46	18.27	6.89	5/8 UNF	1.42	0.25	0.69	3.50	14.45	3.50	12.500	13.00	1.8750	3.75	11.00	1.5860	0.502
CMF2082-250TC	4.46	18.27	6.89	5/8 UNF	1.42	0.25	0.69	3.50	14.45	3.50	12.500	13.00	1.8750	3.75	11.00	1.5860	0.502
CMF2082-280TC	4.46	18.82	6.89	5/8 UNF	1.42	0.25	0.69	3.50	14.45	3.50	12.500	13.00	1.8750	3.75	11.00	1.5860	0.502

Dimension O on CMF2082 includes Eyebolt.

Unit Size	Z	AJ	ØAK	ØBD	ØBF	BB	FT	ØU1	X1	Y1
CMF2042-56C	3/8 UNC	5.88	4.501 / 4.503	6.50	0.43	0.16	0.35	0.6260 / 0.6253	0.719 / 0.709	0.1895 / 0.1875
CMF2042-140TC	3/8 UNC	5.88	4.501 / 4.503	6.50	0.43	0.16	0.35	0.8761 / 0.8753	0.974 / 0.964	0.1895 / 0.1875
CMF2042-180TC	3/8 UNC	7.25	8.501 / 8.503	8.94	0.55	0.20	0.55	1.1261 / 1.1253	1.251 / 1.241	0.2520 / 0.2500
CMF2062-56C	1/2 UNC	5.88	4.501 / 4.503	6.69	0.43	0.16	0.43	0.6260 / 0.6253	0.719 / 0.709	0.1895 / 0.1875
CMF2062-140TC	1/2 UNC	5.88	4.501 / 4.503	6.69	0.43	0.16	0.43	0.8761 / 0.8753	0.974 / 0.964	0.1895 / 0.1875
CMF2062-180TC	1/2 UNC	7.25	8.501 / 8.503	8.94	0.55	0.20	0.59	1.1261 / 1.1253	1.251 / 1.241	0.2520 / 0.2500
CMF2062-210TC	1/2 UNC	7.25	8.501 / 8.503	8.94	0.55	0.20	0.59	1.3764 / 1.3754	1.528 / 1.518	0.3145 / 0.3125
CMF2072-140TC	1/2 UNC	5.88	4.501 / 4.503	6.69	0.43	0.16	0.43	0.8761 / 0.8753	0.974 / 0.964	0.1895 / 0.1875
CMF2072-180TC	1/2 UNC	7.25	8.501 / 8.503	9.13	0.55	0.19	0.66	1.1261 / 1.1253	1.251 / 1.241	0.2520 / 0.2500
CMF2072-210TC	1/2 UNC	7.25	8.501 / 8.503	9.13	0.55	0.19	0.66	1.3764 / 1.3754	1.528 / 1.518	0.3145 / 0.3125
CMF2072-250TC	1/2 UNC	7.25	8.501 / 8.503	9.13	0.55	0.19	0.66	1.6264 / 1.6254	1.806 / 1.796	0.3770 / 0.3750
CMF2082-180TC	5/8 UNC	7.25	8.501 / 8.503	9.13	0.55	0.19	0.66	1.1261 / 1.1253	1.251 / 1.241	0.2520 / 0.2500
CMF2082-210TC	5/8 UNC	7.25	8.501 / 8.503	9.13	0.55	0.19	0.66	1.3764 / 1.3754	1.528 / 1.518	0.3145 / 0.3125
CMF2082-250TC	5/8 UNC	7.25	8.501 / 8.503	9.13	0.55	0.19	0.66	1.6264 / 1.6254	1.806 / 1.796	0.3770 / 0.3750
CMF2082-280TC	5/8 UNC	9.00	10.501 / 10.503	11.13	0.55	0.19	0.74	1.8764 / 1.8754	2.106 / 2.096	0.5020 / 0.5000

**WARNING** : For safety, purchaser or user should provide protective guards over all shaft extensions and any couplings, sheaves and belts, sprockets and chains, etc., mounted thereon.

### CSR Series • Triple Reduction

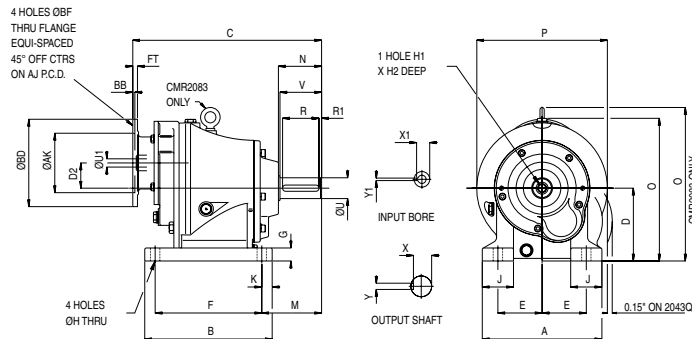


Unit Size	A	B	C	D	D2	E	F	G	ØH	H1	H2	J	K	M	N	O	P	R
CSR2043	5.71	6.30	11.60	3.54	1.50	2.17	5.12	0.59	0.39	3/8 UNF	0.87	1.38	0.59	2.95	2.09	7.17	6.30	1.57
CSR2063	7.48	7.87	14.40	4.53	1.91	2.66	6.50	0.71	0.55	3/8 UNF	0.87	2.17	0.69	3.54	2.44	8.94	7.87	1.97
CSR2073	9.06	9.65	17.00	5.51	1.91	3.35	8.07	0.98	0.71	1/2 UNF	1.10	2.36	0.79	4.53	3.27	10.94	9.84	2.76
CSR2083	11.42	12.20	19.67	7.09	2.36	4.23	10.24	1.10	0.71	5/8 UNF	1.42	2.95	0.98	5.51	4.06	14.65	11.81	3.15

Dimension O on CSR2083 includes Eyebolt.

Unit Size	R1	ØU	V	X	Y	H1a	H2a	Ra	ØUa	Va	Xa	Ya
CSR2043	0.28	1.000	1.97	0.8451	0.252	—	—	1.38	0.5000	1.50	0.4246	0.1270
CSR2063	0.28	1.2500	2.36	1.1074	0.252	—	—	1.75	0.6250	1.88	0.5118	0.1895
CSR2073	0.20	1.6250	3.15	1.4106	0.377	—	—	1.75	0.6250	1.88	0.5118	0.1895
CSR2083	0.39	2.1250	3.94	1.8402	0.502	1/4 UNC	0.63	2.13	0.8750	2.25	0.7660	0.1895

### CMR Series • Triple Reduction



Unit Size	A	B	C	D	D2	E	F	G	ØH	H1	H2	J	K	M	N	O	P	R	R1	ØU
CMR2043-56C	5.71	6.30	10.27	3.54	1.50	2.17	5.12	0.59	0.39	3/8 UNF	0.87	1.38	0.59	2.95	2.09	7.17	6.30	1.57	0.28	1.000
CMR2063-56C	7.48	7.87	11.69	4.53	1.91	2.66	6.50	0.71	0.55	3/8 UNF	0.87	2.17	0.69	3.54	2.44	8.94	7.87	1.97	0.28	1.250
CMR2063-140TC	7.48	7.87	11.69	4.53	1.91	2.66	6.50	0.71	0.55	3/8 UNF	0.87	2.17	0.69	3.54	2.44	8.94	7.87	1.97	0.28	1.250
CMR2073-56C	9.06	9.65	14.29	5.51	1.91	3.35	8.07	0.98	0.71	1/2 UNF	1.10	2.36	0.79	4.53	3.27	10.94	9.84	2.76	0.20	1.625
CMR2073-140TC	9.06	9.65	14.29	5.51	1.91	3.35	8.07	0.98	0.71	1/2 UNF	1.10	2.36	0.79	4.53	3.27	10.94	9.84	2.76	0.20	1.625
CMR2083-56C	11.42	12.20	16.54	7.09	2.36	4.23	10.24	1.10	0.71	5/8 UNF	1.42	2.95	0.98	5.51	4.06	14.65	11.81	3.15	0.39	2.125
CMR2083-140TC	11.42	12.20	16.54	7.09	2.36	4.23	10.24	1.10	0.71	5/8 UNF	1.42	2.95	0.98	5.51	4.06	14.65	11.81	3.15	0.39	2.125
CMR2083-180TC	11.42	12.20	17.90	7.09	2.36	4.23	10.24	1.10	0.71	5/8 UNF	1.42	2.95	0.98	5.51	4.06	14.65	11.81	3.15	0.39	2.125

Dimension O on CMR2083 includes Eyebolt

Unit Size	V	X	Y	AJ	ØAK	ØBD	ØBF	BB	FT	ØU1	X1	Y1
CMR2043-56C	1.97	0.8451	0.252	5.88	4.501/4.503	6.50	0.43	0.16	0.35	0.6260/0.6253	0.719/0.709	0.1895/0.1875
CMR2063-56C	2.36	1.1074	0.252	5.88	4.501/4.503	6.50	0.43	0.16	0.35	0.6260/0.6253	0.719/0.709	0.1895/0.1875
CMR2063-140TC	2.36	1.1074	0.252	5.88	4.501/4.503	6.50	0.43	0.16	0.35	0.8761/0.8753	0.974/0.964	0.1895/0.1875
CMR2073-56C	3.15	1.4106	0.377	5.88	4.501/4.503	6.50	0.43	0.16	0.35	0.6260/0.6253	0.719/0.709	0.1895/0.1875
CMR2073-140TC	3.15	1.4106	0.377	5.88	4.501/4.503	6.50	0.43	0.16	0.35	0.8761/0.8753	0.974/0.964	0.1895/0.1875
CMR2083-56C	3.94	1.8402	0.502	5.88	4.501/4.503	6.69	0.43	0.16	0.43	0.6260/0.6253	0.719/0.709	0.1895/0.1875
CMR2083-140TC	3.94	1.8402	0.502	5.88	4.501/4.503	6.69	0.43	0.16	0.43	0.8761/0.8753	0.974/0.964	0.1895/0.1875
CMR2083-180TC	3.94	1.8402	0.502	7.25	8.501/8.503	8.94	0.55	0.20	0.59	1.1261/1.253	1.251/1.241	0.2520/0.2500

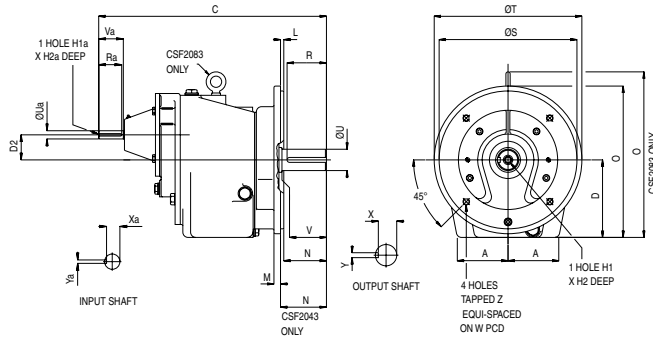
**WARNING** : For safety, purchaser or user should provide protective guards over all shaft extensions and any couplings, sheaves and belts, sprockets and chains, etc., mounted thereon.

# CAST IRON INLINE REDUCERS

## DIMENSIONS



### CSF Series • Triple Reduction

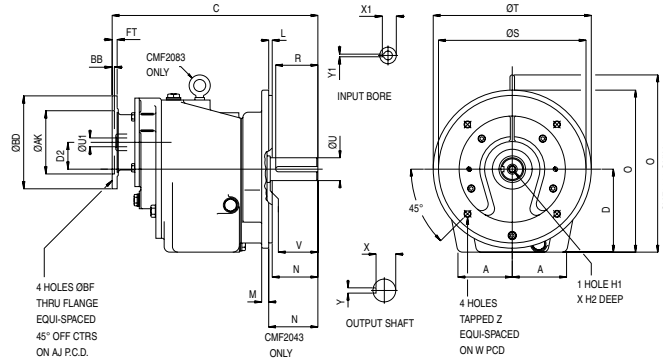


Unit Size	A	C	D	D2	H1	H2	L	M	N	O	R	ØS	ØT	ØU	V	W	X	Y
CSF2043	2.46	11.88	3.98	1.50	1/4 UNC	0.63	0.12	0.43	2.13	7.23	2.13	4.500	6.50	0.8750	2.25	5.88	0.7660	0.1895
CSF2063	3.07	14.71	4.82	1.91	3/8 UNF	0.87	0.25	0.22	2.62	9.32	2.00	8.500	9.00	1.1250	2.63	7.25	0.9807	0.252
CSF2073	3.87	17.10	5.91	1.91	1/2 UNF	1.10	0.25	0.50	3.00	11.53	3.00	10.500	11.25	1.6250	3.25	9.00	1.4106	0.377
CSF2083	4.46	19.47	6.89	2.36	5/8 UNF	1.42	0.25	0.69	3.50	14.45	3.50	12.500	13.00	1.8750	3.75	11.00	1.5860	0.502

Dimension O on CSF2083 includes Eyebolt

Unit Size	Z	H1a	H2a	Ra	ØUa	Va	Xa	Ya
CSF2043	3/8 UNC	—	—	1.38	0.5000	1.50	0.4246	0.1270
CSF2063	1/2 UNC	—	—	1.75	0.6250	1.88	0.5118	0.1895
CSF2073	1/2 UNC	—	—	1.75	0.6250	1.88	0.5118	0.1895
CSF2083	5/8 UNC	1/4 UNC	0.63	2.13	0.8750	2.25	0.7660	0.1895

### CMF Series • Triple Reduction



Unit Size	A	C	D	D2	H1	H2	L	M	N	O	R	ØS	ØT	ØU	V	W	X	Y
CMF2043-56C	2.46	10.56	3.98	1.50	1/4 UNC	0.63	0.12	0.43	2.13	7.23	2.13	4.500	6.50	0.8750	2.25	5.88	0.7660	0.1895
CMF2063-56C	3.07	11.99	4.82	1.91	3/8 UNF	0.87	0.25	0.22	2.62	9.32	2.00	8.500	9.00	1.1250	2.63	7.25	0.9807	0.252
CMF2063-140TC	3.07	11.99	4.82	1.91	3/8 UNF	0.87	0.25	0.22	2.62	9.32	2.00	8.500	9.00	1.1250	2.63	7.25	0.9807	0.252
CMF2073-56C	3.87	14.39	5.91	1.91	1/2 UNF	1.10	0.25	0.50	3.00	11.53	3.00	10.500	11.25	1.6250	3.25	9.00	1.4106	0.377
CMF2073-140TC	3.87	14.39	5.91	1.91	1/2 UNF	1.10	0.25	0.50	3.00	11.53	3.00	10.500	11.25	1.6250	3.25	9.00	1.4106	0.377
CMF2083-56C	4.46	16.33	6.89	2.36	5/8 UNF	1.42	0.25	0.69	3.50	14.45	3.50	12.500	13.00	1.8750	3.75	11.00	1.5860	0.502
CMF2083-140TC	4.46	16.33	6.89	2.36	5/8 UNF	1.42	0.25	0.69	3.50	14.45	3.50	12.500	13.00	1.8750	3.75	11.00	1.5860	0.502
CMF2083-180TC	4.46	17.69	6.89	2.36	5/8 UNF	1.42	0.25	0.69	3.50	14.45	3.50	12.500	13.00	1.8750	3.75	11.00	1.5860	0.502

Dimension O on CMF2083 includes Eyebolt.

Unit Size	Z	AJ	ØAK	ØBD	ØBF	BB	FT	ØU1	X1	Y1
CMF2043-56C	3/8 UNC	5.88	4.501 / 4.503	6.50	0.43	0.16	0.35	0.6260 / 0.6253	0.719 / 0.709	0.1895 / 0.1875
CMF2063-56C	1/2 UNC	5.88	4.501 / 4.503	6.50	0.43	0.16	0.35	0.6260 / 0.6253	0.719 / 0.709	0.1895 / 0.1875
CMF2063-140TC	1/2 UNC	5.88	4.501 / 4.503	6.50	0.43	0.16	0.35	0.8761 / 0.8753	0.974 / 0.964	0.1895 / 0.1875
CMF2073-56C	1/2 UNC	5.88	4.501 / 4.503	6.50	0.43	0.16	0.35	0.6260 / 0.6253	0.719 / 0.709	0.1895 / 0.1875
CMF2073-140TC	1/2 UNC	5.88	4.501 / 4.503	6.50	0.43	0.16	0.35	0.8761 / 0.8753	0.974 / 0.964	0.1895 / 0.1875
CMF2083-56C	5/8 UNC	5.88	4.501 / 4.503	6.69	0.43	0.16	0.43	0.6260 / 0.6253	0.719 / 0.709	0.1895 / 0.1875
CMF2083-140TC	5/8 UNC	5.88	4.501 / 4.503	6.69	0.43	0.16	0.43	0.861 / 0.8753	0.974 / 0.964	0.1895 / 0.1875
CMF2083-180TC	5/8 UNC	7.25	8.501 / 8.503	8.94	0.55	0.20	0.59	1.1261 / 1.1253	1.251 / 1.241	0.2520 / 0.2500

**WARNING** : For safety, purchaser or user should provide protective guards over all shaft extensions and any couplings, sheaves and belts, sprockets and chains, etc., mounted thereon.

**Lubrication Recommendations**

	Castrol Limited	Chevron Corporation	Citgo Petroleum Corporation	Mobil Corporation	Shell Group of Companies	Texaco, Inc.
<b>Standard</b>	Alpha SP 220	Gear Compound EP ISO 220	EP Compound #220	Mobilgear 630	Omala 220	Meropa 220
<b>Note: Grove Gear TorqueLine Reducers are factory filled with lubricant</b>						

**Double & Triple Reduction**

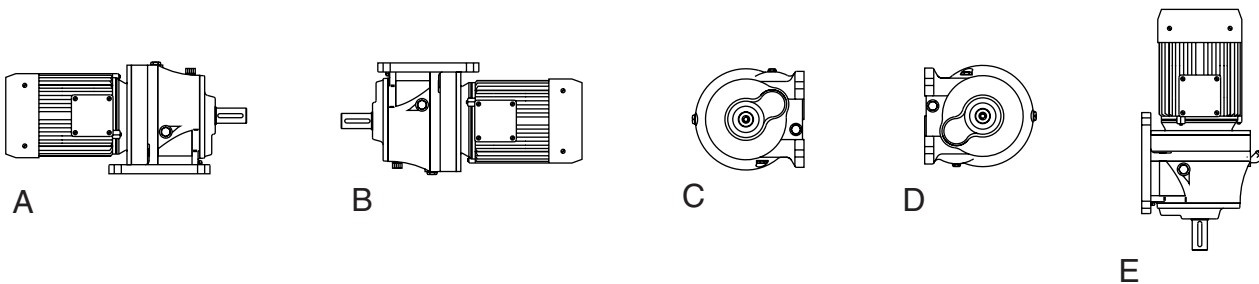
Mounting Position	Model Type	Oil Capacity (Pints)								
		Unit Size								
		2032	2042	2043	2062	2063	2072	2073	2082	2083
A & G	CSR	Grease Lubed for Life	1.9	2.6	3	4.9	7.5	9.1	11.8	15.4
	CMR		1	2	1.6	4.1	5.1	8.1	7.6	13.7
	CSF		1.9	2.6	3	4.9	7.5	9.1	11.8	15.4
	CMF		1	2	1.6	4.1	5.1	8.1	7.6	13.7
B	CSR		2.2	2.2	3.1	4.3	7.8	8.6	13.2	12.9
	CMR		1.8	2	3	4.2	7.4	7.6	11.4	11.8
	CSF		2.2	2.2	3.1	4.3	7.8	8.6	13.2	12.9
	CMF		1.8	2	3	4.2	7.4	7.6	11.4	11.8
C & D	CSR		1.6	1.9	2.4	3.1	6.1	7.1	11	10.8
	CMR		1.5	1.7	2.3	3	6.1	5.5	10.1	10.1
	CSF	1.6	1.9	2.4	3.1	6.1	7.1	11	10.8	
	CMF	1.5	1.7	2.3	3	6.1	5.5	10.1	10.1	
E & I	CSR	2.5	2.8	3.6	4.7	7.9	9.5	13.7	15.8	
	CMR	1.4	2.8	2.3	4.7	5.5	9.5	10	15.8	
	CSF	2.5	2.8	3.6	4.7	7.9	9.5	13.7	15.8	
	CMF	1.4	2.8	2.3	4.7	5.5	9.5	10	15.8	

**Quadruple Reduction (1)**

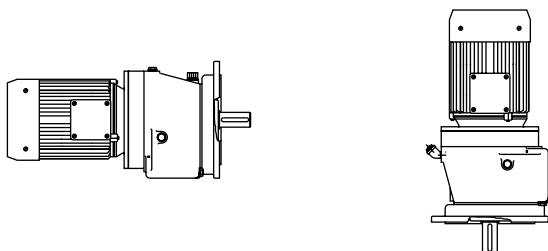
	Oil Capacity (Pints)		
	Unit Size		
GEAR BOX SIZE	2064	2074	2084
PRIMARY UNIT	2042	2062	2072
SECONDARY UNIT	2062	2072	2082

(1) OIL CAPACITY FOR THE PRIMARY AND SECONDARY UNITS CAN BE OBTAINED FROM ABOVE DOUBLE REDUCTION LISTINGS

**Mounting Position - Foot Mounted Units**



**Mounting Position - Flange Mounted Units**



For Mounting Positions Not Shown, contact Factory. DO NOT CHANGE MOUNTING POSITIONS WITHOUT CONTACTING FACTORY.

**Reducer - Weights - Foot Mount (lbs.)**

Unit Size & No. of Reductions	Solid I.P. Shaft	C Face Reducer - NEMA Flange Size					
		56C	140TC	180TC	210TC	250TC	280TC
2032	-	18	-	-	-	-	-
2042	27	28	28	33	-	-	-
2043	33	34	-	-	-	-	-
2062	46	46	46	61	-	-	-
2063	59	59	59	-	-	-	-
2064	59	61	61	66	-	-	-
2072	92	-	88	103	103	103	-
2073	111	107	107	-	-	-	-
2074	118	118	118	124	-	-	-
2082	142	-	-	166	166	166	174
2083	169	148	148	168	-	-	-
2084	218	-	218	234	234	-	-

**Reducer - Weights - Output Flange Mount (lbs,)**

Unit Size & No. of Reductions	Solid I.P. Shaft	C Face Reducer - NEMA Flange Size					
		56C	140TC	180TC	210TC	250TC	280TC
2032	-	-	-	-	-	-	-
2042	29	30	30	35	-	-	-
2043	35	36	-	-	-	-	-
2062	51	51	51	66	-	-	-
2063	64	64	64	-	-	-	-
2064	64	66	66	71	-	-	-
2072	105	-	101	116	116	116	-
2073	124	120	120	-	-	-	-
2074	131	131	131	137	-	-	-
2082	167	-	-	191	191	191	199
2083	194	173	173	193	-	-	-
2084	243	-	243	259	259	-	-

**Reducers - Motor Compatibility C-Face**

Unit Size	56C	140TC	180TC	210TC	250TC	280TC
2032	X	-	-	-	-	-
2042	X	X	X	-	-	-
2043	X	-	-	-	-	-
2062	X	X	X	X	-	-
2063	X	X	-	-	-	-
2064	X	X	-	-	-	-
2072	-	X	X	X	X	-
2073	X	X	-	-	-	-
2074	X	X	X	X	-	-
2082	-	-	X	X	X	X
2083	X	X	X	-	-	-
2084	-	X	X	X	X	-